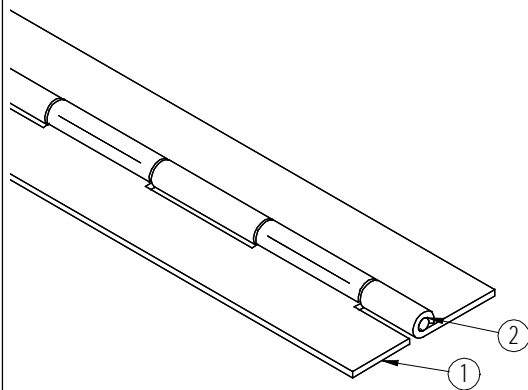


Difference: max. 4 mm



2	1	Pin	1.0313	Ø3x2500	
1	2	Hinge part	1.0330	2500x20x1.5	
Pos.number	Quantity	Description	Material	Standard size	Remarks
Tolerances according to DIN ISO 2768-m			BOSCH For custom hinges www.boschhinges.com description: Piano hinge		
Scale: 1:1		Units: mm			
Drawn: AT		Date: '05-03-14			
Rev.Nr.	Date	Name	Copyright reserved ©		
			Drawingno: 7434700B Pagina: 000		DIN A3