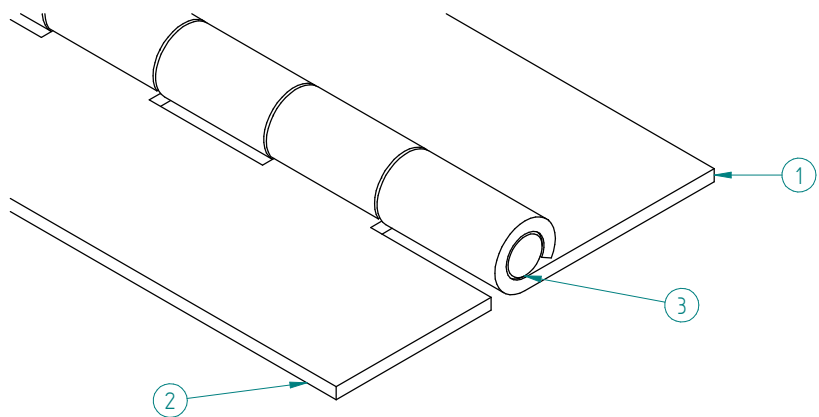


Difference: max. 4 mm



3	1	Pin	1.4301 (rvs-304)	3 2	φ10x2500	
2	1	Hinge part	1.4301 (rvs-304)	3 2	2500x50x3.0	
1	1	Hinge part	1.4301 (rvs-304)	3 2	2500x50x3.0	
Pos.number	Quantity	Description	Material		Standard size	Remarks
			Tolerances according to DIN ISO 2768-m			
			Scale :	1:1	Units :	mm
			Drawn :	J.B.B.	Date :	'05-12-14
03	'11-11-18	SH	<div style="text-align: center;"> <h1>BOSCH</h1> <p>Hinges</p> <p>description : Piano hinge</p> </div> <div style="text-align: right;"> <p>For custom hinges</p> <p>www.boschhinges.com</p> </div>			
02	'08-09-24	S.R.				
01	'06-11-08	J.B.B.				
Rev.Nr.	Date	Name	Copyright reserved ©			
					 DIN A3	Drawingno : 7913910B
					 Pagena: 000	