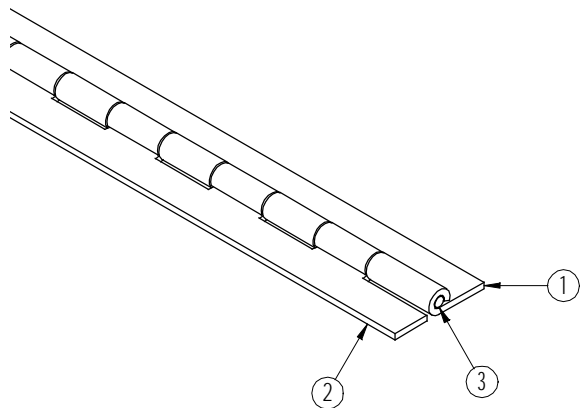
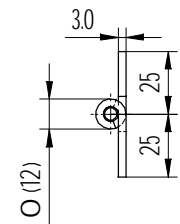


Radian space: max. 0.5 mm.



3	1	Pin	RVS 316 (1.4401)	Ø6x2500	
2	1	Hinge part	RVS 316 (1.4401)	2500x25x3	
1	1	Hinge part	RVS 316 (1.4401)	2500x25x3	
Pos.number	Quantity	Description	Material	Standard size	Remarks
		Tolerances according to DIN ISO 2768-m			
		Scale: 1:2	Units: mm		
		Drawn: S.R.	Date: '08-09-15		
				For custom hinges	
				www.boschhinges.com	
		description: Piano hinge			DIN A3
Rev.Nr.		Date	Name	Drawings: 153599	Pages: 000
Copyright reserved ©					